



Adjustable dosing unit with 20 litre capacity and four positions (25, 50, 75, and 100 cc). Especially designed for the application of liquids in a dosed manner. Specific for treatments focusing on fruits, vegetables, nurseries, coffee, banana, African oil palm, tobacco, etc.



Advantages

- Fast, effective and homogeneous application saving product and water.
- 4 dosing positions.
- Possibility of soil injection.
- Easy maintenance without tools.
- Convertible to sprayer.

20
litres
capacity

Functional information



Ergonomic and robust clamping nut



Adjustable padded straps



Adjustable dispenser with 4 positions (25 - 50 - 75 - 100 cc)



Chamber specially designed to avoid internal residue



Large filling opening



Integrated and ergonomic handle



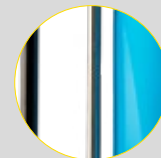
Integrated system to release the cylinder without emptying



Lance/lever support



Lance: 0.65m (stainless steel tube) / 0.2 m



Translucent side level indicator



Technical information

Technical information	DOSER EVOLUTION 20
HOSE	1.3 m (PVC)
STANDARD NOZZLES	Anti-drip drench, fan and conical nozzle
LANCE	0.65 m (stainless steel tube) / 0.2 m
USEFUL CAPACITY	20 L
TOTAL CAPACITY	21.5 L
GROSS WEIGHT	4.34 Kg
NET WEIGHT	3.60 Kg
INTEGRATED SYSTEM TO RELEASE THE CYLINDER WITHOUT EMPTYING	YES
WIDE FILLER OPENING	YES
TRANSLUCENT LEVEL INDICATOR	YES
STANDARD ACCESSORIES	NO
LANCE AND EXTENSIONS	Lance/Lever
STRAPS	Adjustable and padded
DOSAGE RANGE	25 - 50 - 75 - 100 cc

Logistics data

Logistics data	DOSER EVOLUTION 20
CODE	8.02.48
EAN	84.14685.20120.1
CONDITIONING	1 unit
UNITS PER PALLET	14 units
DIMENSIONS PER PALLET	1200 X 800 X 1020



ACCESSORIES

Personalize your sprayer adapting it to your application needs (height, hard-to-reach areas...)



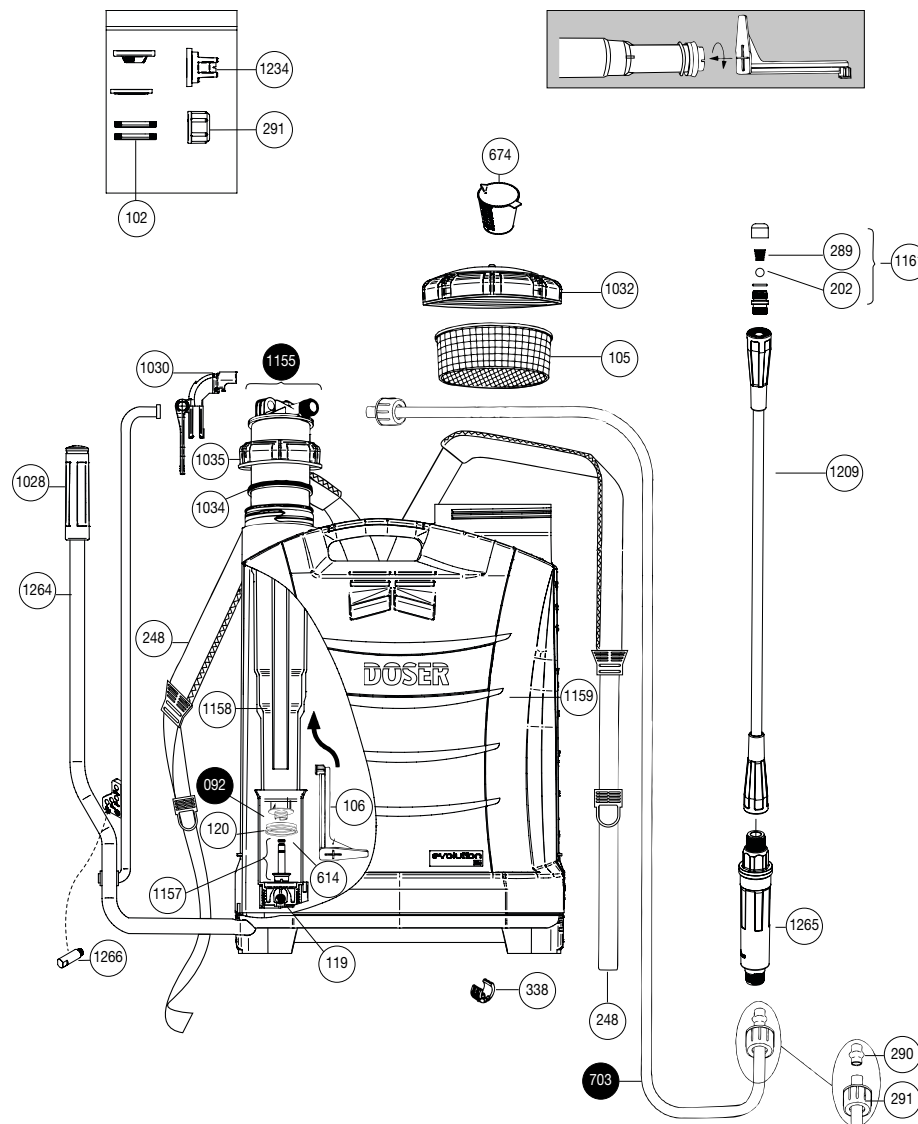
DOSER INJECTION TIP
Reference 8.02.41.018



SPRAYER CONVERTER KIT
Reference 8.02.41.800

SPARE PARTS

Extend the service life of your sprayer easily replacing parts.



N.	COD.	Q	SPARE PARTS NAME
92	8.39.41.603	1	CYLINDER WITH BALL
102	8.42.02.334	1	FLAT WASHER
105	8.39.18.303	1	FILTER TANK
106	8.39.47.306	1	AGITATOR
119	2.20.08.902	1	STAINLESS STEEL BALL Ø 12
120	8.39.11.305	1	VITON SEAL
202	2.20.08.010	1	STAINLESS STEEL BALL Ø 10
248	8.39.41.364	2	STRAP
289	8.39.08.324	1	SPRING
290	8.38.08.308	2	HOSE BUSHING
291	8.42.02.332	2	NUT
338	8.39.43.327	1	BASE BUSHING
614	2.23.16.908	1	ROUND GASKET AN-8
674	8.39.41.350	1	100 ML DOSER
703	8.39.18.805	1	COMPLETE HOSE
1028	8.49.41.307	1	GRIP
1030	8.49.41.811	1	LANCE HOOK
1032	8.49.41.602	1	TANK COVER AND VALVE
1034	8.49.41.410	1	LOCKING WASHER
1035	8.49.41.304	1	GUIDE LID
1155	8.02.41.814	1	COMPLETE DOSER CHAMBER
1157	8.02.41.603	1	COMPLETE DOSER VALVE
1158	8.02.41.302	1	DOSER CHAMBER
1159	8.02.48.850	1	FULL TANK
1161	8.02.41.806	1	COMPLETE DOSER NOZZLE
1209	8.32.72.828	1	PIPE WITH BUSHING
1234	8.02.41.019	1	NOZZLE TP6520
1264	8.02.48.802	1	DOSER LEVER
1265	8.02.48.801	1	COMPLETE HANDLE
1266	8.02.41.029	1	LEVER STOP SET
	8.02.48.200	1	INSTRUCTION SHEET
	8.02.48.201	1	PACKAGING