



Compression sprayer with 1 litre useful capacity. Suitable for houses, balconies, terraces and small gardens.



## Advantages

- Large filling opening for easy filling, cleaning and emptying
- Adjustable conical nozzle



## Technical information

Technical information	INTEREKO 1,5
VALVE	YES
STANDARD NOZZLES	Adjustable conical
USEFUL CAPACITY	1 L
TOTAL CAPACITY	1,5 L
NET WEIGHT	0,33 Kg
WIDE FILLER OPENING	YES
STANDARD ACCESSORIES	NO
PRESSURE REGULATOR	NO

## Logistics data

Logistics data	INTEREKO 1,5
CODE	8.38.62
EAN	84.14685.10070.2
CONDITIONING	6 units
UNITS PER PALLET	90 units
DIMENSIONS PER PALLET	1200 X 800 X 950

## Functional information



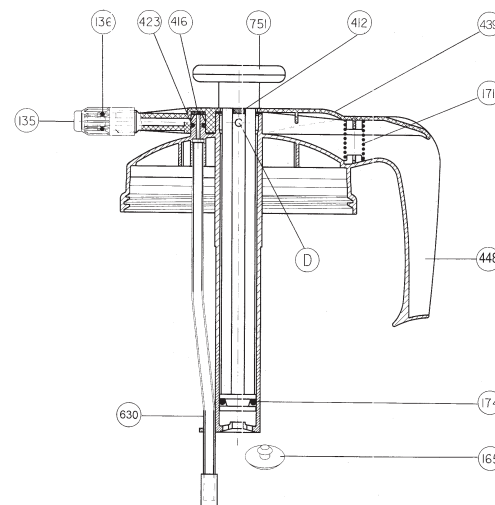
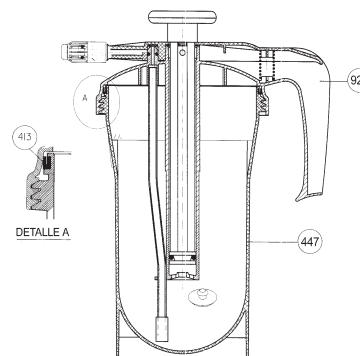
Adjustable conical nozzle



Wide filler opening

## SPARE PARTS

Extend the service life of your sprayer easily replacing parts.



Nº	COD.	Q	SPARE PARTS NAME
135	8.39.02.323	1	NOZZLE Ø 1
136	2.23.15.905	1	ROUND GASKET AN-5
165	8.38.05.314.1	1	CHAMBER VALVE
171	8.38.01.311	1	SPRING
174	2.23.99.439	1	ROUND GASKET Ø 15
412	8.38.41.306	1	TOP COVER
413	8.38.41.307	1	ROUND GASKET
416	8.38.41.308	1	SEAL
423	2.23.16.902	1	ROUND GASKET AN-2
439	8.38.52.303	1	BLACK GRIP
447	8.38.62.301	1	INTEREKO-1,5 TANK
448	8.38.62.302	1	HEAD
630	8.38.41.320	1	TUBE WITH FILTER
751	8.38.01.607	1	HANDLE
924	8.38.62.801	1	COMPLETE CHAMBER
	8.38.62.200	1	INSTRUCTION SHEET
	8.38.62.201	1/6	PACKAGING

## MAINTENANCE KITS



**MAINTENANCE KIT**  
Reference 8.38.01.870  
Keep your sprayer at peak performance. Designed for 1.5 L sprayers.

NOZZLE Ø1 No. 135	8.39.02.323	
ROUND SEAL AN-5 No. 136	2.23.15.905	
CHAMBER VALVE No. 165	8.38.05.314.1	
O-RING No. 657	2.23.99.132	